

Technical Specification

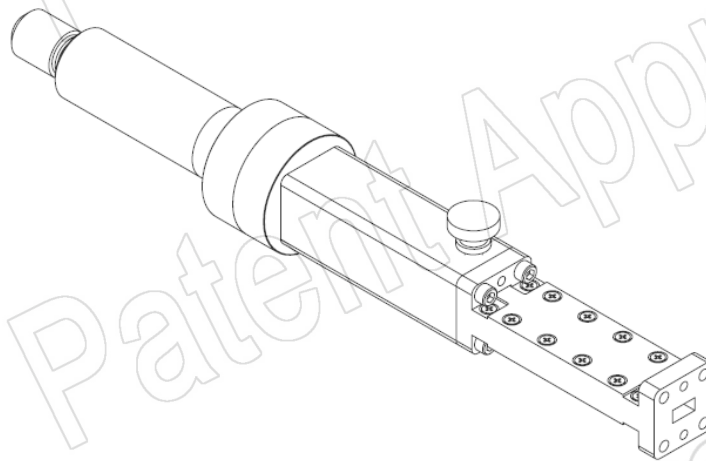
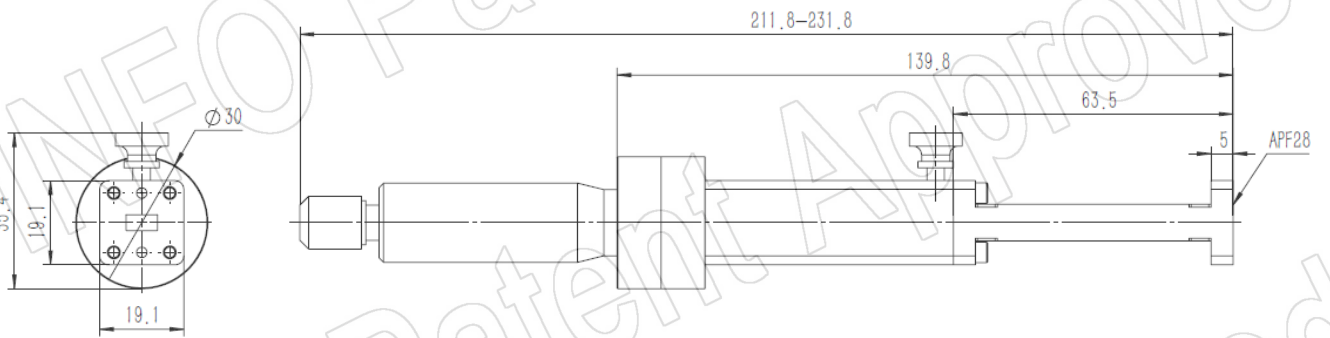


EIA WR	WR28
Frequency Range(GHz)	26.5 – 40.0
VSWR	>50
Flange	APF28
Material	Cu
Size(L)(mm)	211.8~231.8
Net Weight(Kg)	0.45 Around

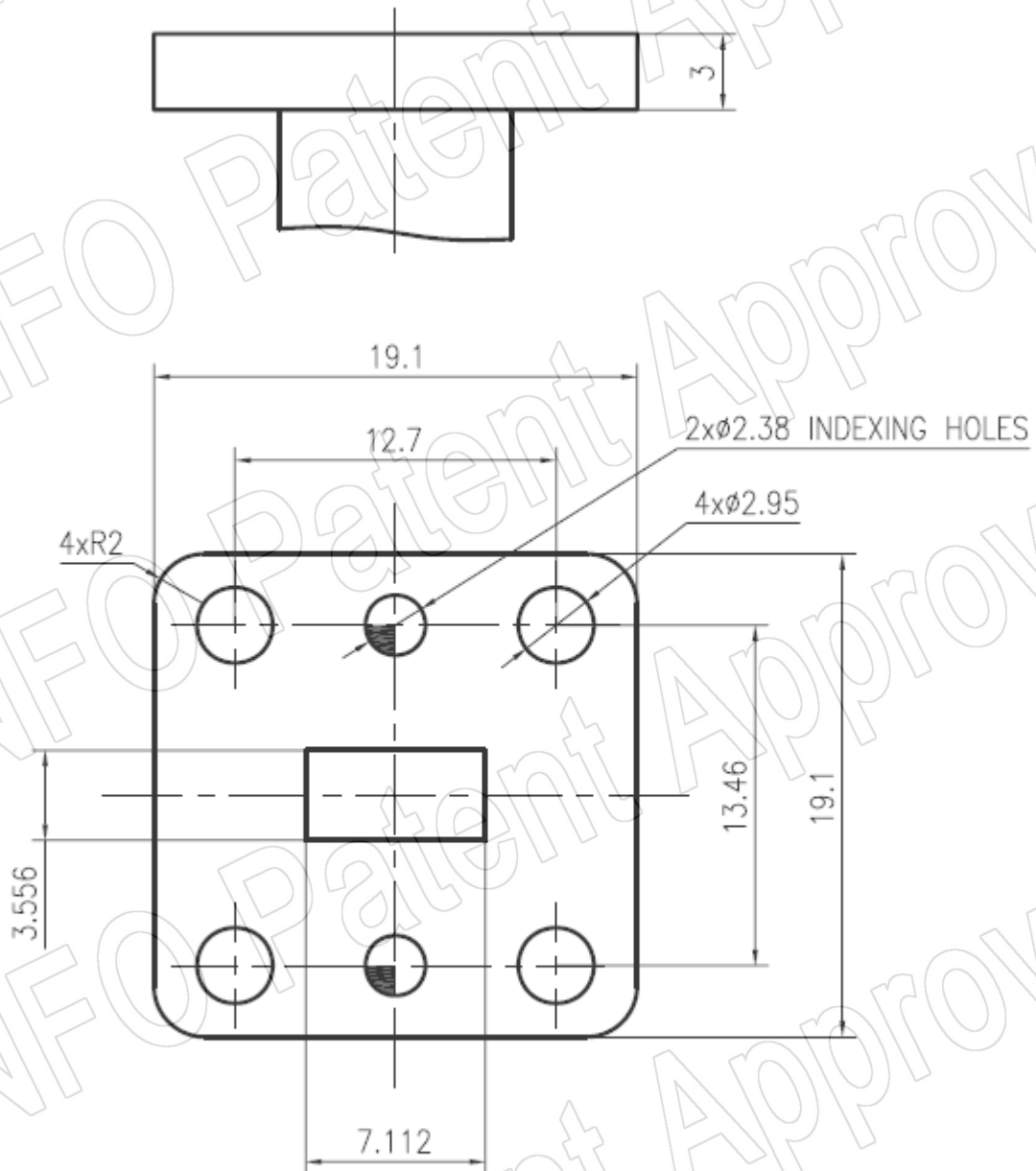
PATENT ID (China)

ZL202010897766.X, ZL202030750674.X

Outline Drawing (Size: mm)



Flange Drawing (Size: mm)



APF28

AINFO Inc.

Page 2 of 4

China(Beijing):
China(Chengdu):
USA :

Tel: (+86) 10-6266-7326,
Tel: (+86) 28-8519-2786,
Tel: (+1) 949-639-9688,

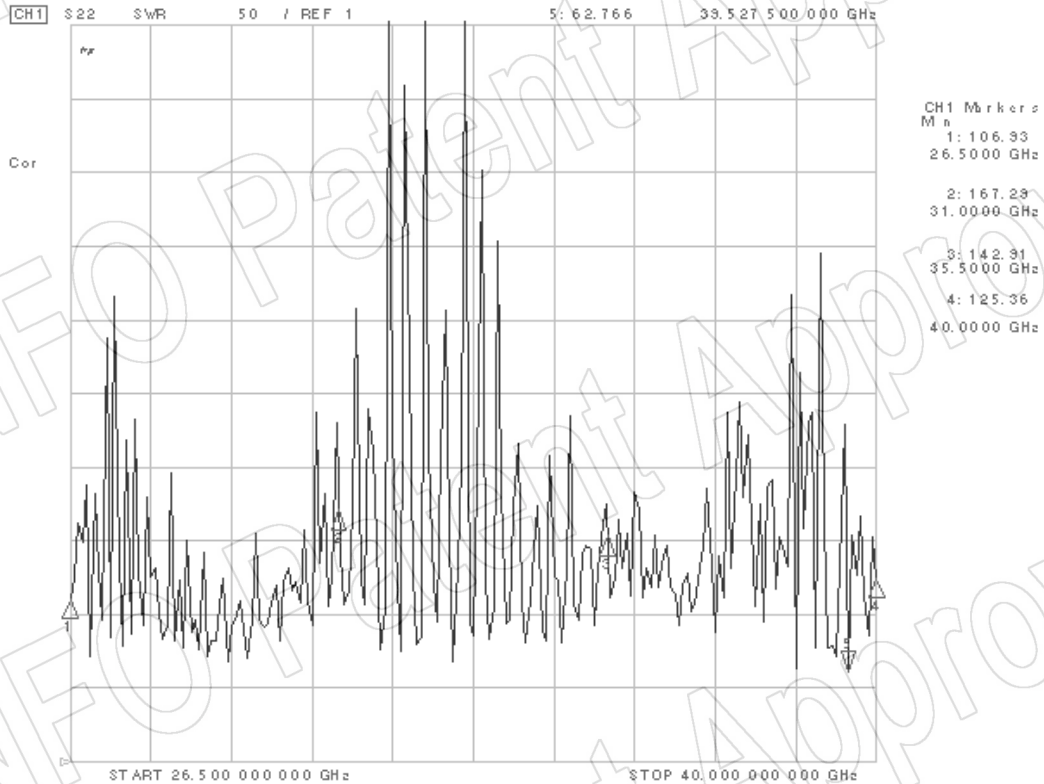
(+86) 10-6266-7327
(+86) 28-8519-3044
(+1) 949-639-9608

Fax: (+86) 10-6266-7379
Fax: (+86) 28-8519-3068
Fax: (+1) 949-639-9670

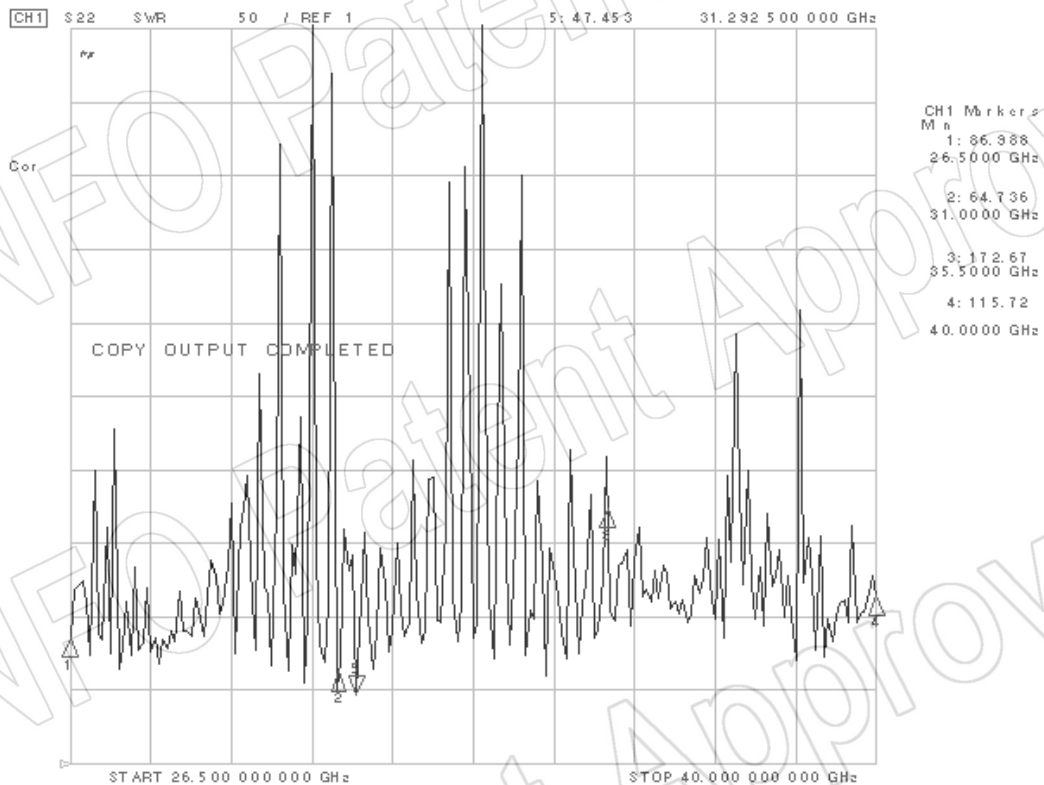
Website: www.ainfoinc.com
Email: sales@ainfoinc.com

Test Results

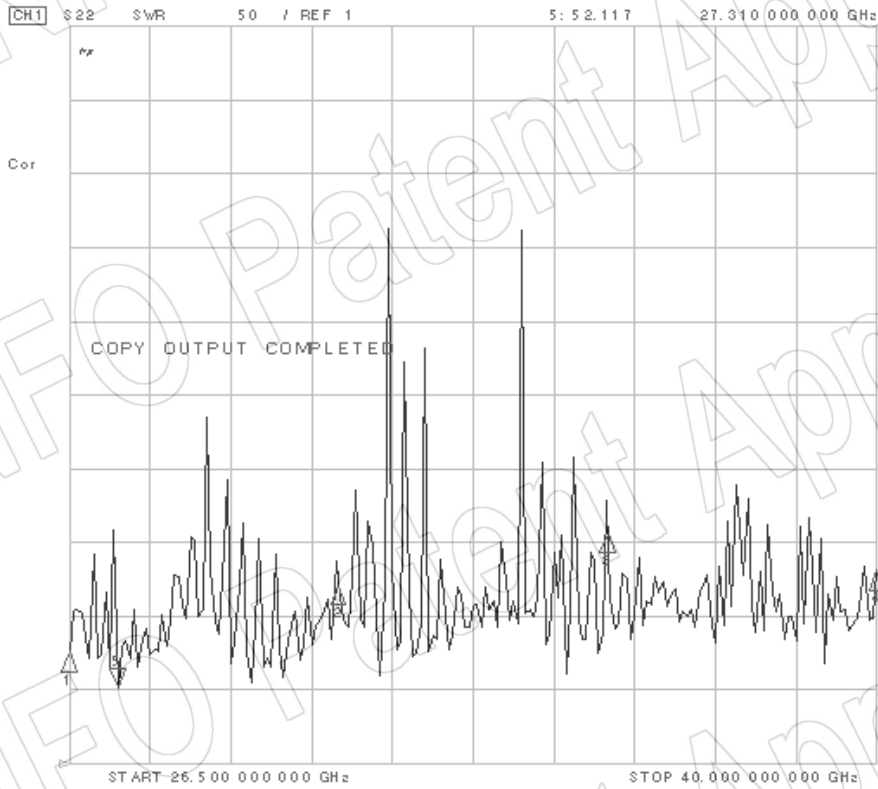
VSWR (at 0mm)



VSWR (at 10mm)



VSWR (at 20mm)



CH1 Markers

M n	Frequency (GHz)
1:	26.345
2:	26.5000
3:	157.72
4:	132.01
5:	35.5000
6:	40.0000